

## LED导光柱 LED PIPE



用途：使LED导光于机壳面板上，使光度均匀、柔和。

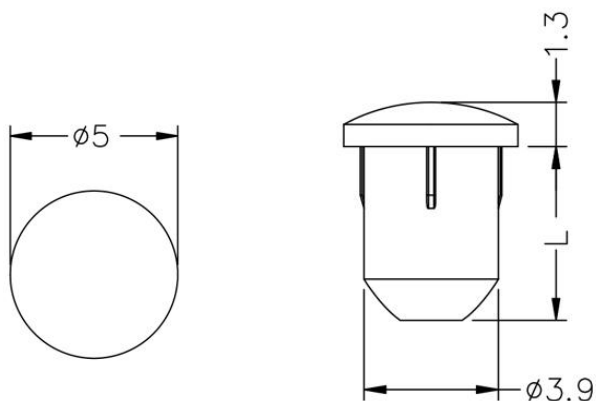
MATERIAL : PC

COLOR : TRANSPARENT

UNIT : mm

2

PART NO	L	PACKAGE
LEDLP-205	5.0	2000
LEDLP-206	6.0	2000
LEDLP-207	8.0	2000
LEDLP-234	10.0	2000
LEDLP-258	12.7	2000
LEDLP-259	4.0	2000
LEDLP-280	3.2	2000



MOUNTING HOLE  $\phi 3.96$

## LED导光柱 LED PIPE



用途：使LED导光于机壳面板上，使光度均匀、柔和。

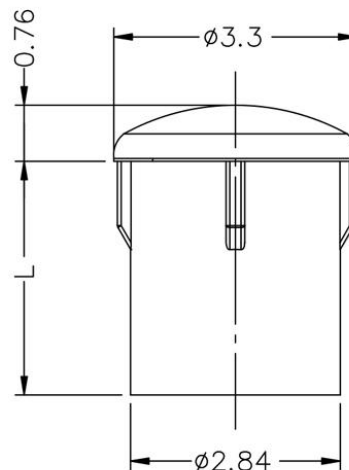
MATERIAL : PC(UL)

FLAME CLASS : 94V-0,94V-2

COLOR : TRANSPARENT

UNIT : mm

PART NO	A	F	PACKAGE
LEDLP-208	4.0	3.05	2000
LEDLP-209	6.0	3.0	2000
LEDLP-210	8.0	3.05	2000
LEDLP-211	25.4	3.05	1000
LEDLP-235	10.0	3.0	2000
LEDLP-236	30.5	3.0	1000
LEDLP-264	5.0	3.0	2000
LEDLP-265	7.0	3.0	200



MOUNTING HOLE  $\phi 3$